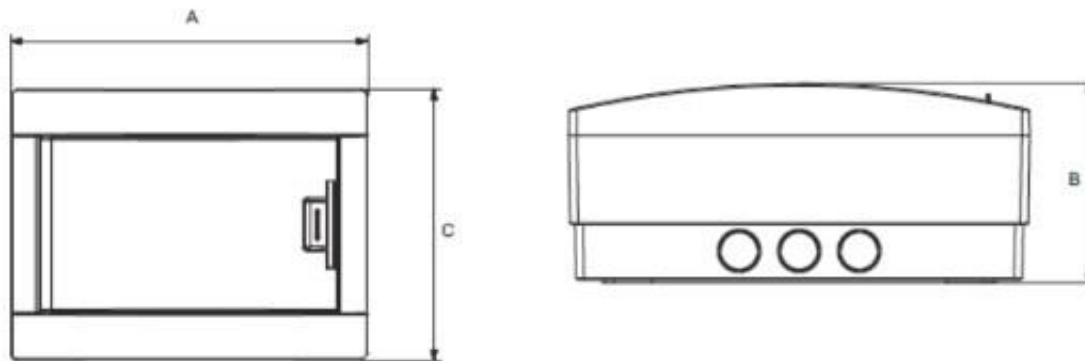


## PLUS DISTRIBUTION BOARDS SURFACE MOUNTED

### Technical Information



- Stainless steel screws for cover
- Stainless steel din rail
- Enclosure design for installation of DIN rails and terminals
- Suitable for the assembly of low voltage switchgear equipment



#### TECHNICAL DETAILS

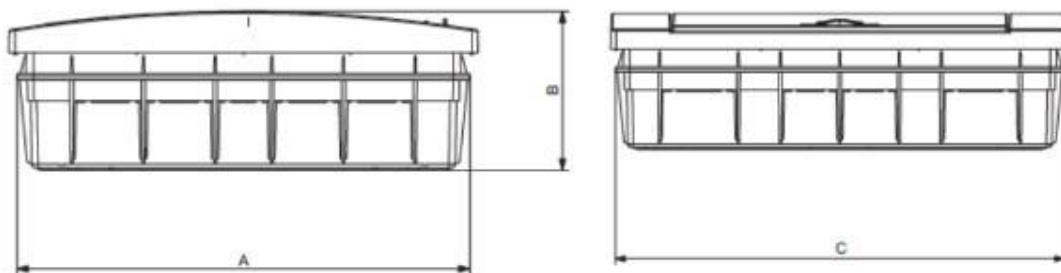
CODE	DESCRIPTION	A	B	C	WEIGHT	VOLUME	PCS
MD9314	2 Distribution Board S.M.	140 mm	98 mm	143 mm	14,65 Kg.	0,101 m <sup>3</sup>	60
MD9316	4 Distribution Board S.M.	140 mm	98 mm	150 mm	14,65 Kg.	0,108 m <sup>3</sup>	45
MD9302	6 Distribution Board S.M.	184 mm	100 mm	140 mm	11,20 Kg.	0,089 m <sup>3</sup>	30
MD9304	8 Distribution Board S.M.	231 mm	100 mm	176 mm	9,80 Kg.	0,092 m <sup>3</sup>	20
MD9306	12 Distribution Board S.M.	295 mm	100 mm	221 mm	14,70 Kg.	0,140 m <sup>3</sup>	20
MD9308	18 Distribution Board S.M.	390 mm	103 mm	220 mm	10,25 Kg.	0,097 m <sup>3</sup>	10
MD9310	24 Distribution Board S.M.	295 mm	100 mm	337 mm	12,70 Kg.	0,108 m <sup>3</sup>	10
MD9312	36 Distribution Board S.M.	295 mm	100 mm	453 mm	15,60 Kg.	0,149 m <sup>3</sup>	10
MD9301	1-2 Distribution Board	139 mm	65 mm	54 mm	15,00 Kg.	0,120 m <sup>3</sup>	240

# PLUS DISTRIBUTION BOARDS FLUSH MOUNTED

## Technical Information



- Stainless steel screws for cover
- Stainless steel din rail
- Enclosure design for installation of DIN rails and terminals
- Suitable for the assembly of low voltage switchgear equipment



### TECHNICAL DETAILS

CODE	DESCRIPTION	A	B	C	WEIGHT	VOLUME	PCS
MD9315	2 Distribution Board F.M.	100 mm	98 mm	142 mm	11,25 Kg.	0,101 m <sup>3</sup>	45
MD9317	4 Distribution Board F.M.	140 mm	98 mm	150 mm	13,70 Kg.	0,108 m <sup>3</sup>	45
MD9303	6 Distribution Board F.M.	176 mm	100 mm	135 mm	9,90 Kg.	0,089 m <sup>3</sup>	30
MD9305	8 Distribution Board F.M.	220 mm	100 mm	169 mm	10,30 Kg.	0,092 m <sup>3</sup>	20
MD9307	12 Distribution Board F.M.	284 mm	100 mm	215 mm	14,40 Kg.	0,140 m <sup>3</sup>	20
MD9309	18 Distribution Board F.M.	365 mm	103 mm	212 mm	9,50 Kg.	0,097 m <sup>3</sup>	10
MD9311	24 Distribution Board F.M.	284 mm	100 mm	330 mm	11,40 Kg.	0,108 m <sup>3</sup>	10
MD9313	36 Distribution Board F.M.	283 mm	100 mm	446 mm	15,60 Kg.	0,149 m <sup>3</sup>	10