

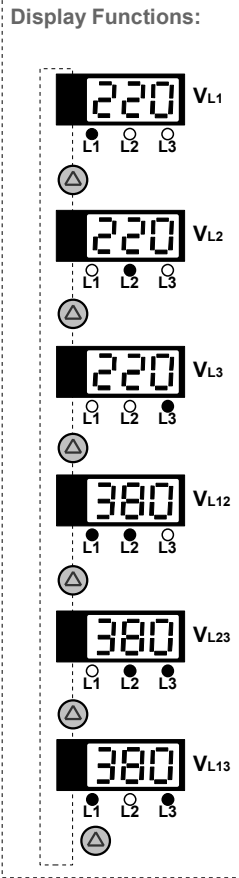
MULTIMET-03-(D)



MULTIMETER

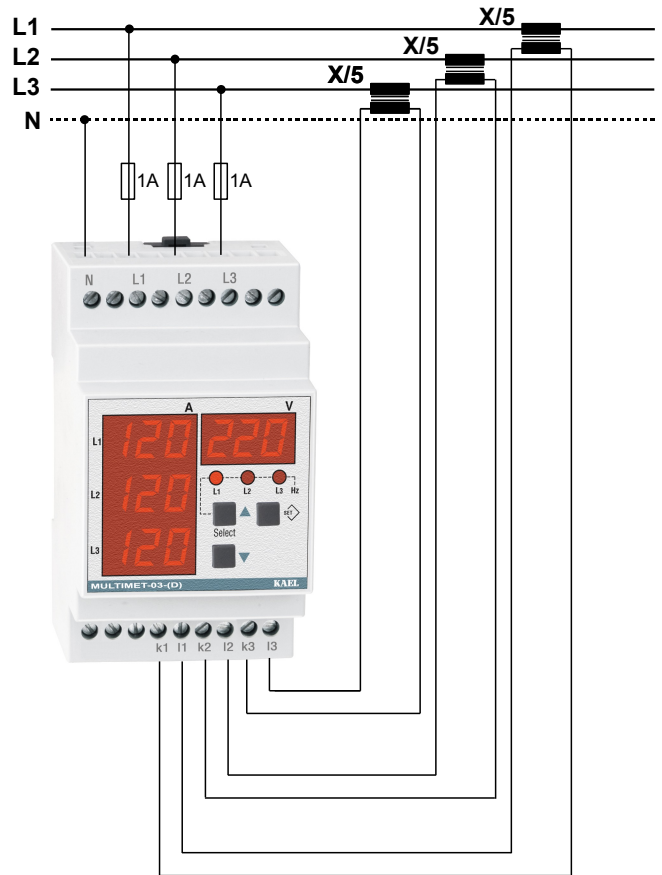
VL1, VL2, VL3
VL12, VL23, VL13
IL1, IL2, IL3
Hz

TRUE RMS



Select Button : (Up direction) when pressing continuously, screen displays frequency of system. When button release device continue to show voltage.

Connection :



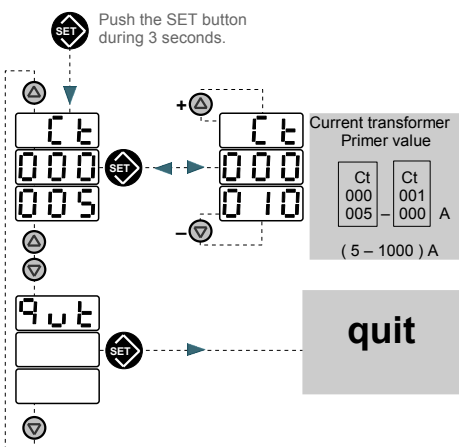
SPECIFICATIONS

- Microprocessor based
- Measurement of 3 phase electrical quantities (VL-N, A, VL-L, Hz)
- Setting of current and voltage transformer ratios
- Easy Access to menu
- Reduces both number of measurement equipment used in the panel and connection time.
- Lower Electrical panel costs.

General

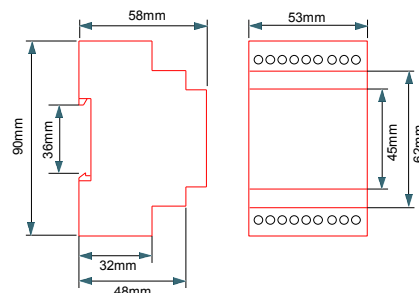
Multimet-03-(D) gives the ability of tracking electrical parameters for 3 phase systems such as, phase currents, phase-neutral & phase-phase voltages, frequency. Current transformer ratio can be set by the user. Using the directions buttons, desired parameters can be accessed easily.

ACCESSING PARAMETER MENU:



TECHNICAL INFORMATION:

- Rated Voltage (Un) : 220Vac (L1-N)
- Operating Range : (0,8-1,1) x Un
- Frequency : 50 / 60 Hz
- Supply Power Consumption : < 4VA
- Current Transformer Ratio : X / 5A
- Current Measurement Range : (for seconder current) 0,05 - 6 Amp AC
- Voltage Measurement Range : (Phase-Phase) 10 - 500 Vac, 45 - 65Hz
- : (Phase-Neutral) 10 - 300 Vac, 45 - 65Hz
- For power supply(L1 - N) 176V – 242V
- Voltage Measurement Power Consumption ⚠ : <1VA (for one phase)
- Measurement Sensitivity : %1±1 digit
- Contact Current : Max. 3A / 240Vac
- Device Protection Class : IP 20
- Connector Protection Class : IP 00
- Temperature : - 5 °C + 50 °C
- Connection Type : To connection rail in electrical panel
- Dimension :



IMPORTANT: L1 - N is device supply inputs. Thus, the applied L1 – N voltage must be rated voltage of system. Otherwise normal led makes flash and the device switched off its output contact. The measured frequency also must the frequency of the system.