

logistics details

Product title:	Aluminium terminals longitudinally sealed KRA type
Type:	KRA 185/12 (50 SZT./PCS)

Certificates

Design	DIN 46329
--------	------------------

crimping

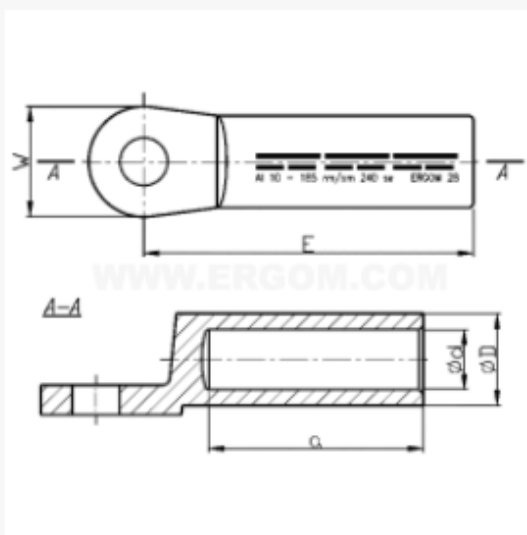
Die code No.	28
No. of crimping wide	3
No. of crimping narrow	6

mechanical details

Material	Al.
Surface	uncoated
Size of bolt dia	M12
DIN	✓

Sections

Cross section re [mm ²]	240
Cross section rm/sm [mm ²]	185



Sizes

d	18,3
D	28,5
a min	60
E	91
W	30