

**logistics details**

Product title:	<b>Aluminium terminals longitudinally sealed KRA type</b>
Type:	<b>KRA 95/12 (50 SZT./PCS)</b>

**Certificates**

Design	<b>DIN 46329</b>
--------	------------------

**crimping**

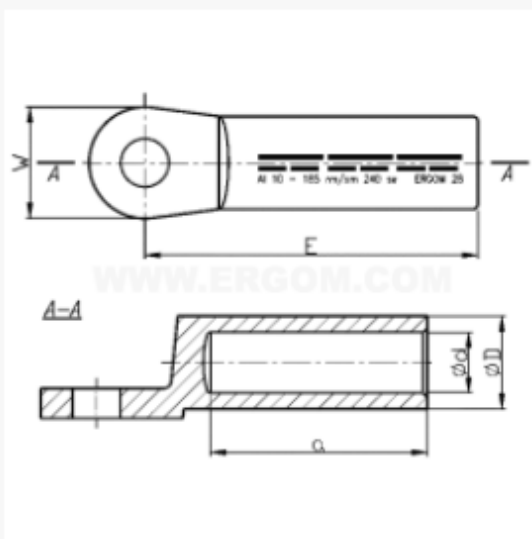
Die code No.	<b>22</b>
No. of crimping wide	<b>3</b>
No. of crimping narrow	<b>6</b>

**mechanical details**

Material	<b>Al.</b>
Surface	<b>uncoated</b>
Size of bolt dia	<b>M12</b>
DIN	√

**Sections**

Cross section re [mm <sup>2</sup> ]	<b>120</b>
Cross section rm/sm [mm <sup>2</sup> ]	<b>95</b>

**Sizes**

d	<b>13,2</b>
D	<b>22,0</b>
a min	<b>56</b>
E	<b>75</b>
W	<b>25</b>