

### logistics details

Product title: **Aluminium terminals longitudinally sealed KRA type**

Type: **KRA 35/10 (100 SZT./PCS)**

### Certificates

Design **DIN 46329**

### crimping

Die code No. **14**

No. of crimping wide **3**

No. of crimping narrow **5**

### mechanical details

Material **Al.**

Surface **uncoated**

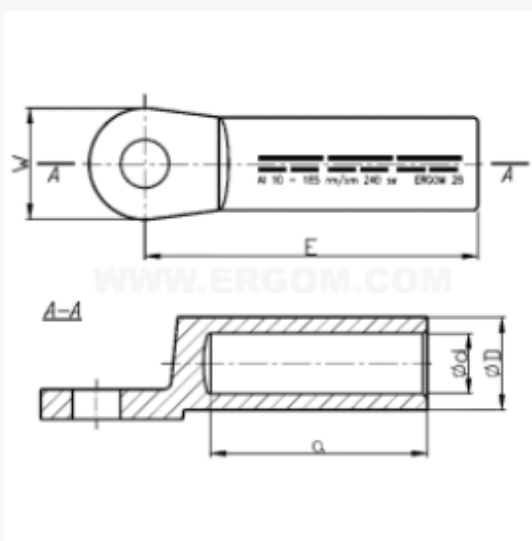
Size of bolt dia **M10**

DIN **√**

### Sections

Cross section re [mm<sup>2</sup>] **50**

Cross section rm/sm [mm<sup>2</sup>] **35**



### Sizes

d **8,0**

D **14,0**

a min **42**

E **62**

W **25**