

logistics details

Product title:	Insulated spade terminals KWI type
Type:	KWI 16/5 (100 SZT./PCS)

mechanical details

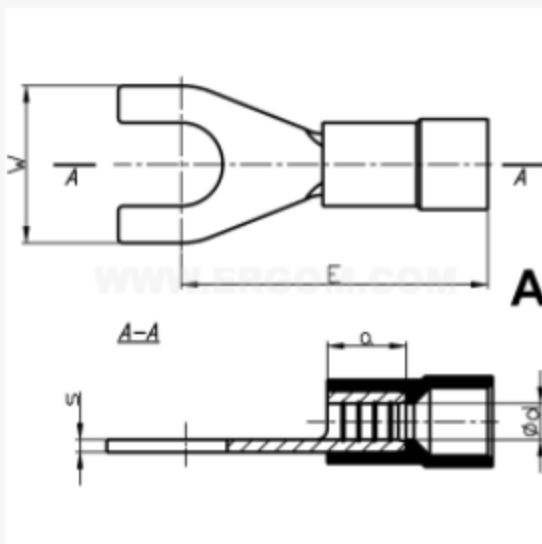
Insulated	polyamide 6.6
Insulation color	blue
Material	Cu
Surface	tin-plated
Working temperature [°C]	-30 ÷ +95
Size of bolt dia	M 5
Release	B

Certificates

Design	DIN 46237 – refers only the tubular part of terminal
--------	---

Sections

Cross section [mm ²]	16
----------------------------------	-----------

**Sizes**

d	5,8
s	1,2
a	10
E	30
W	11