

logistics details

Product title:	Spade terminals insulated KWI...PCV type
Type:	KWI 6/4 PCV (100 SZT./PCS)

mechanical details

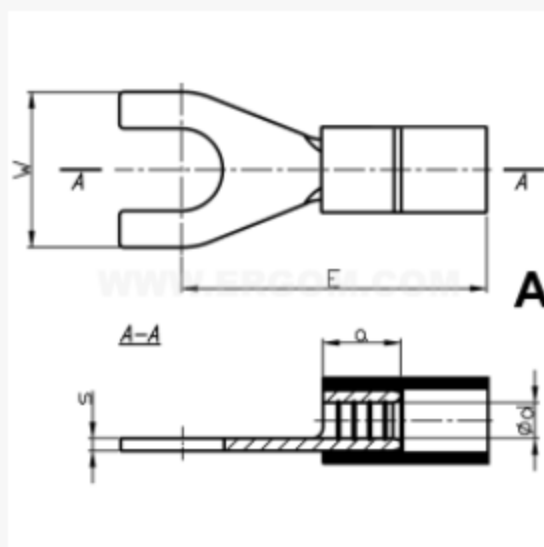
Insulated	polyvinyl chloride (PCV)
Insulation color	yellow
Material	Cu
Surface	tin-plated
Working temperature [°C]	-5 ÷ +60
Size of bolt dia	M 4
Release	A

Certificates

Design	DIN 46237 – refers only the tubular part of terminal
--------	--

Sections

Cross section [mm ²]	4÷6
----------------------------------	-----



Sizes

d	3,6
s	1,0
a	6
E	20,0
W	8,0