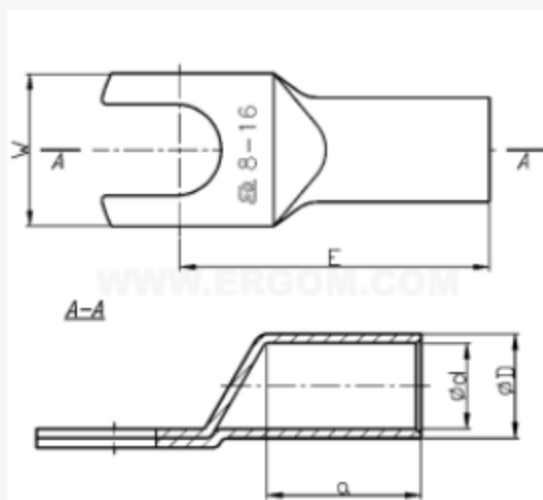


**logistics details**Product title: **Tubular spade terminals KWR type**Type: **KWR 16/6 (100 SZT./PCS)**Weight netto: **~ 0,800 kg****Certificates**Design **standard****crimping**Die code No. **9**No. of crimping wide **1**No. of crimping narrow **1****mechanical details**Material **Cu**Surface **tin-plated**Size of bolt dia **M6****Sections**Cross section mm<sup>2</sup>/cm **16****Sizes**d **5,5**D **8,5**a **13**E **25,5**W **12,0**