

logistics details

Product title: **Butt connectors join in „butt” KL type**

Type: **KL 300 (25 SZT./PCS)**

Weight netto: **~ 5,548 kg**

Certificates

Design **standard**

crimping

Die code No. **28**

No. of crimping wide **2 - 2**

No. of crimping narrow **-**

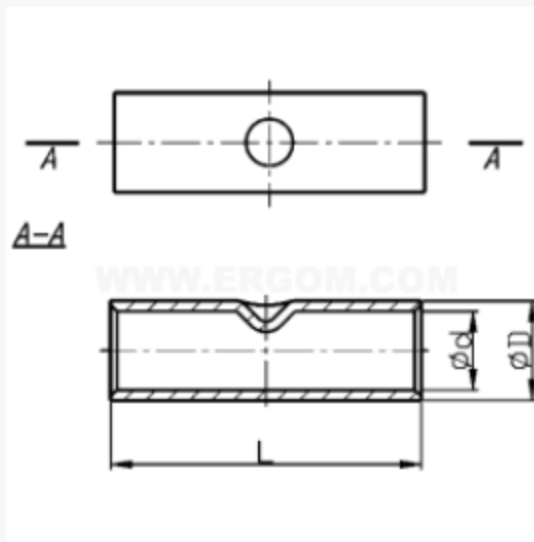
mechanical details

Material **Cu**

Surface **tin-plated**

Sections

Cross section rm/sm [mm²] **300**

**Sizes**

d **24,0**

D **30,0**

L **102**