

logistics details

Product title:	Butt connectors join in „butt” KL type
Type:	KL 185 (50 SZT./PCS)
Weight netto:	~ 5,246 kg

Certificates

Design	standard
--------	----------

crimping

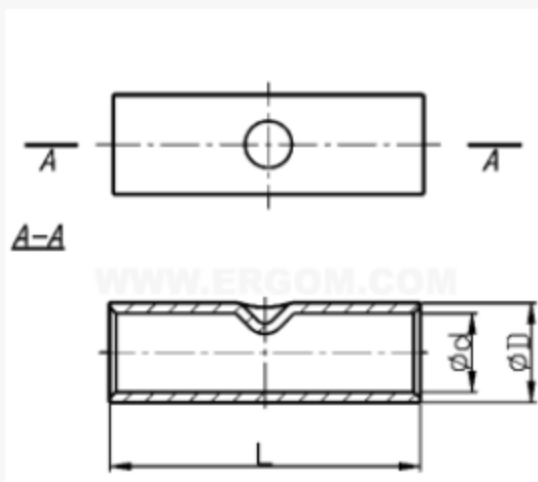
Die code No.	23
No. of crimping wide	2 - 2
No. of crimping narrow	4 - 4

mechanical details

Material	Cu
Surface	tin-plated

Sections

Cross section mm/sm [mm ²]	185
--	-----

**Sizes**

d	19,0
D	24,0
L	72