

logistics details

Product title: **Butt connectors join in „butt“ KL type**

Type: **KL 70 (100 SZT./PCS)**

Weight netto: **~ 4,539 kg**

Certificates

Design **standard**

crimping

Die code No. **16**

No. of crimping wide **1 - 1**

No. of crimping narrow **3 - 3**

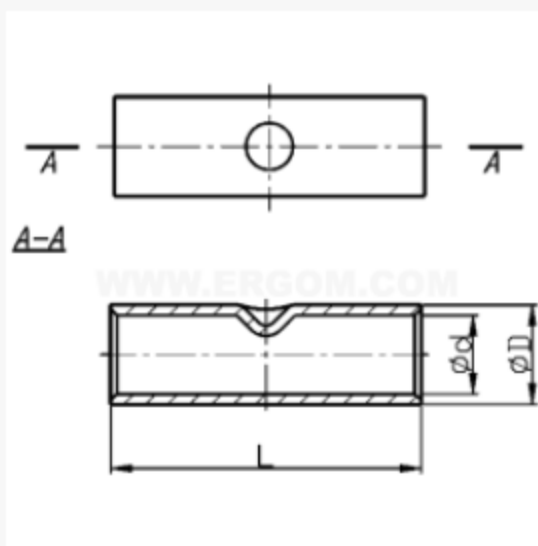
mechanical details

Material **Cu**

Surface **tin-plated**

Sections

Cross section mm²/sm [mm²] **70**

**Sizes**

d **12,0**

D **16,5**

L **52**