

logistics details

Product title:	Butt connectors join in „butt” KL type
Type:	KL 25 (100 SZT./PCS)
Weight netto:	~ 1,312 kg

Certificates

Design	standard
--------	----------

crimping

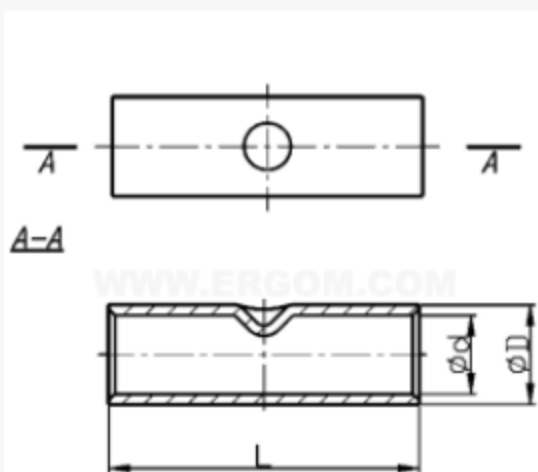
Die code No.	10
No. of crimping wide	1 - 1
No. of crimping narrow	2 - 2

mechanical details

Material	Cu
Surface	tin-plated

Sections

Cross section rm/sm [mm ²]	25
--	----

**Sizes**

d	7,0
D	10,0
L	38