

logistics details

Product title:	Butt connectors join in „butt” KL type
Type:	KL 16 (100 SZT./PCS)
Weight netto:	~ 0,872 kg

Certificates

Design	standard
--------	----------

crimping

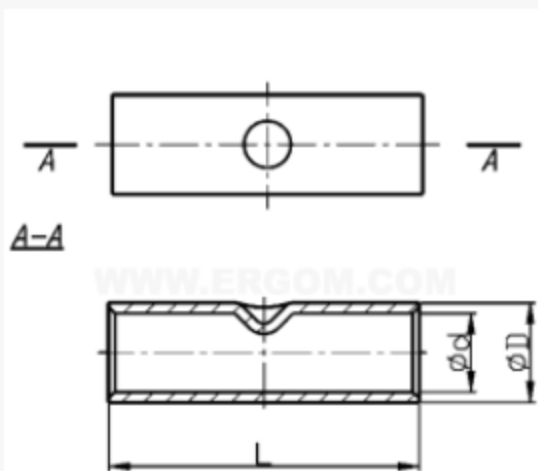
Die code No.	9
No. of crimping wide	1 - 1
No. of crimping narrow	1 - 1

mechanical details

Material	Cu
Surface	tin-plated

Sections

Cross section mm ² /sm [mm ²]	16
------------------------------------------------------	----

**Sizes**

d	5,5
D	8,5
L	30