

### logistics details

Product title:	<b>Tubular terminals KDR type</b>
Type:	<b>KDR 300/16 (25 SZT./PCS)</b>

### Certificates

Design	<b>DIN 46235</b>
--------	------------------

### crimping

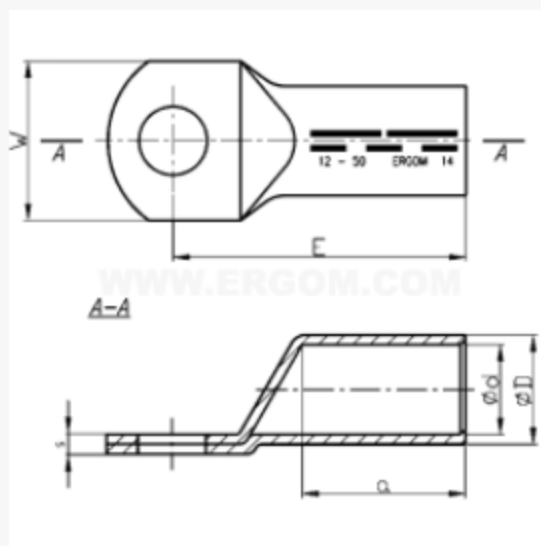
Die code No.	<b>32</b>
No. of crimping wide	<b>2</b>
No. of crimping narrow	<b>-</b>

### mechanical details

Material	<b>Cu</b>
Surface	<b>tin-plated</b>
Size of bolt dia	<b>M16</b>
DIN	✓

### Sections

Cross section mm <sup>2</sup> /sm [mm <sup>2</sup> ]	<b>300</b>
--	------------



### Sizes

d	<b>24,5</b>
D	<b>32,0</b>
s	<b>7,0</b>
a	<b>52</b>
E	<b>100</b>
W	<b>48</b>