

logistics details

Product title:	Tubular terminals KDR type
Type:	KDR 300/12 (25 SZT./PCS)

mechanical details

Material	Cu
Surface	tin-plated
Size of bolt dia	M12
DIN	—

Certificates

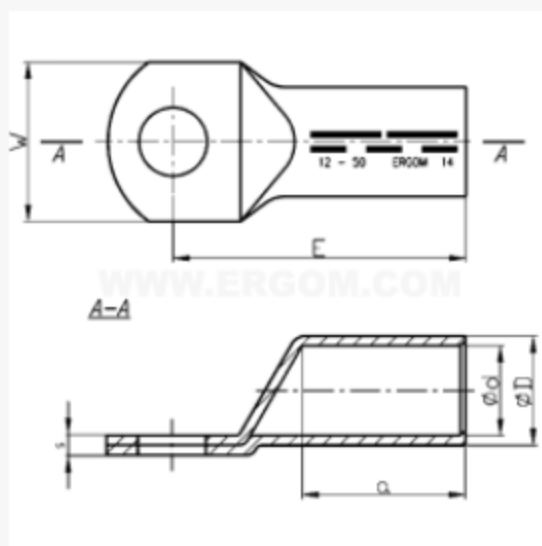
Design	DIN 46235
--------	------------------

Sections

Cross section rm/sm [mm ²]	300
--	------------

crimping

Die code No.	32
No. of crimping wide	2
No. of crimping narrow	-



Sizes

d	24,5
D	32,0
s	7,0
a	52
E	100
W	48