

logistics details

Product title: **Tubular terminals KDR type**

Weight netto: **~ 13,339 kg**

Certificates

Design **DIN 46235**

crimping

Die code No. **28**

No. of crimping wide **2**

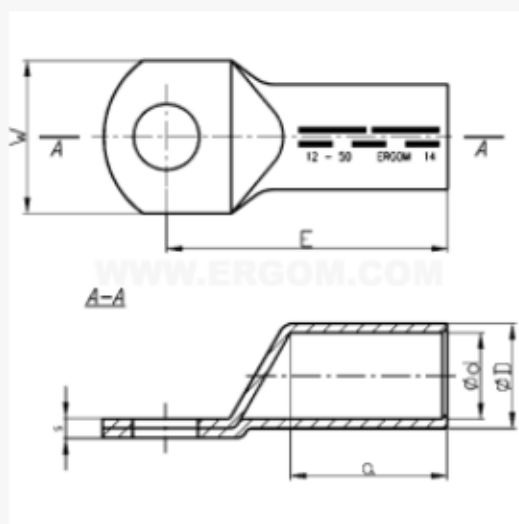
No. of crimping narrow **-**

mechanical details

Material	Cu
Surface	tin-plated
Size of bolt dia	M12
DIN	✓

Sections

Cross section rm/sm [mm²] **240**



Sizes

d	21,5
D	29,0
s	6,5
a	42
E	92
W	42