

logistics details

Product title: **Tubular terminals KDR type**

Weight netto: **~ 9,113 kg**

Certificates

Design **DIN 46235**

crimping

Die code No. **25**

No. of crimping wide **2**

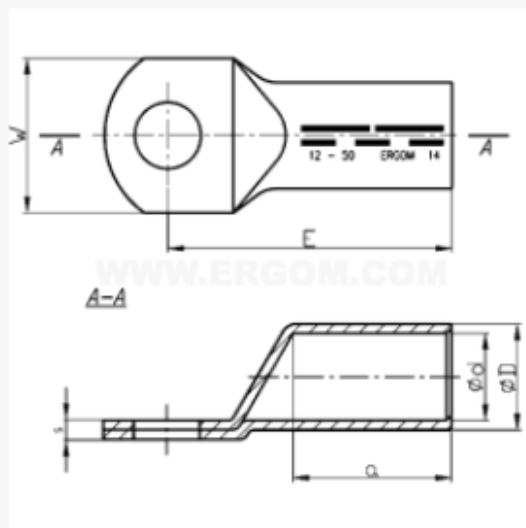
No. of crimping narrow **5**

mechanical details

Material	Cu
Surface	tin-plated
Size of bolt dia	M16
DIN	✓

Sections

Cross section mm/sm [mm²] **185**



Sizes

d	19,0
D	25,5
s	6,0
a	42
E	82
W	37