

logistics details

Product title: **Tubular terminals KDR type**

Weight netto: **~ 5,550 kg**

Certificates

Design **DIN 46235**

crimping

Die code No. **20**

No. of crimping wide **2**

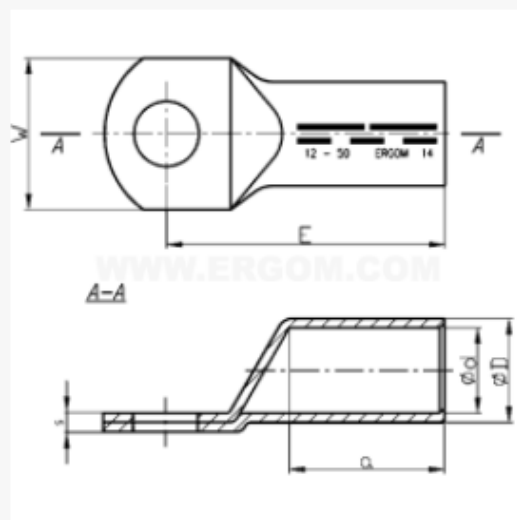
No. of crimping narrow **4**

mechanical details

Material	Cu
Surface	tin-plated
Size of bolt dia	M12
DIN	√

Sections

Cross section rm/sm [mm²] **120**

**Sizes**

d	15,5
D	21,0
s	5,0
a	35
E	70
W	32