

### logistics details

Product title: **Tubular terminals KDR type**

Weight netto: ~ 4,590 kg

### Certificates

Design: **DIN 46235**

### crimping

Die code No. **19**

No. of crimping wide **2**

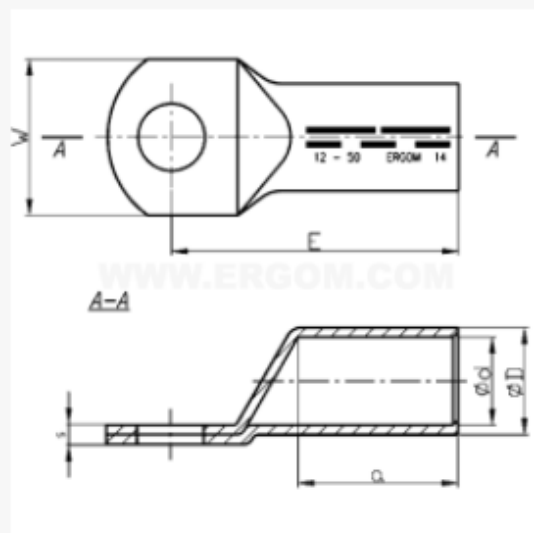
No. of crimping narrow **4**

### mechanical details

Material	<b>Cu</b>
Surface	<b>tin-plated</b>
Size of bolt dia	<b>M12</b>
DIN	√

### Sections

Cross section rm/sm [mm<sup>2</sup>]: **95**



### Sizes

d	<b>13,5</b>
D	<b>19,0</b>
s	<b>5,0</b>
a	<b>35</b>
E	<b>65</b>
W	<b>28</b>