

logistics details

Product title: **Tubular terminals KDR type**

Weight netto: **~ 4,674 kg**

Certificates

Design **DIN 46235**

crimping

Die code No. **19**

No. of crimping wide **2**

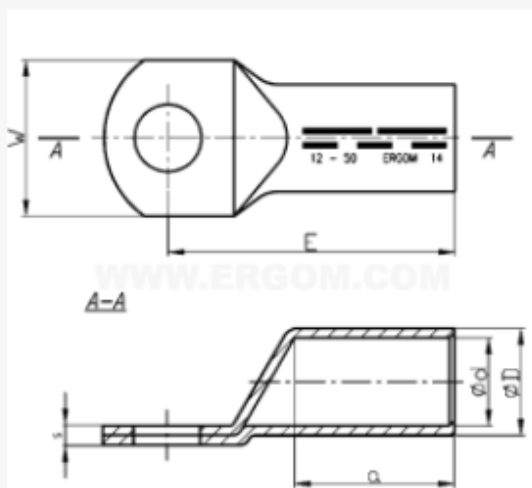
No. of crimping narrow **4**

mechanical details

Material	Cu
Surface	tin-plated
Size of bolt dia	M10
DIN	✓

Sections

Cross section rm/sm [mm²] **95**



Sizes

d	13,5
D	19,0
s	5,0
a	35
E	65
W	28