

### logistics details

Product title: **Tubular terminals KDR type**

Weight netto: **~ 6,080 kg**

### Certificates

Design: **DIN 46235**

### crimping

Die code No. **16**

No. of crimping wide **2**

No. of crimping narrow **3**

### mechanical details

Material: **Cu**

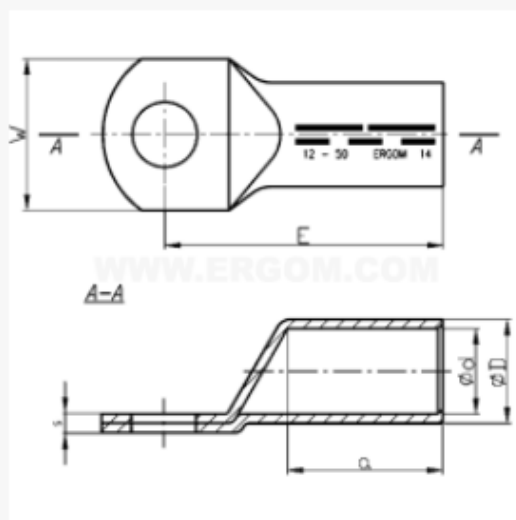
Surface: **tin-plated**

Size of bolt dia: **M16**

DIN: **√**

### Sections

Cross section mm/sm [mm<sup>2</sup>]: **70**



### Sizes

d: **11,5**

D: **16,5**

s: **4,0**

a: **28**

E: **55**

W: **30**