

logistics details

Product title:	Tubular terminals KDR type
Type:	KDR 70/12 (100 SZT./PCS)

Weight netto: ~ 6,299 kg

Certificates

Design **DIN 46235**

crimping

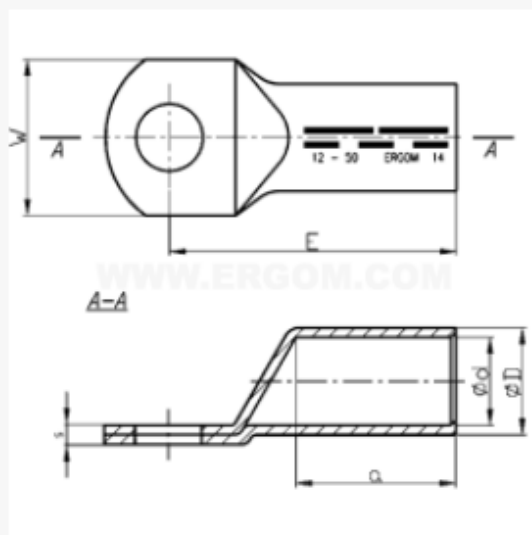
Die code No.	16
No. of crimping wide	2
No. of crimping narrow	3

mechanical details

Material	Cu
Surface	tin-plated
Size of bolt dia	M12
DIN	✓

Sections

Cross section rm/sm [mm²] **70**



Sizes

d	11,5
D	16,5
s	4,5
a	28
E	55
W	24