

logistics details

Product title: **Tubular terminals KDR type**

Weight netto: **~ 4,631 kg**

Certificates

Design **DIN 46235**

crimping

Die code No. **14**

No. of crimping wide **2**

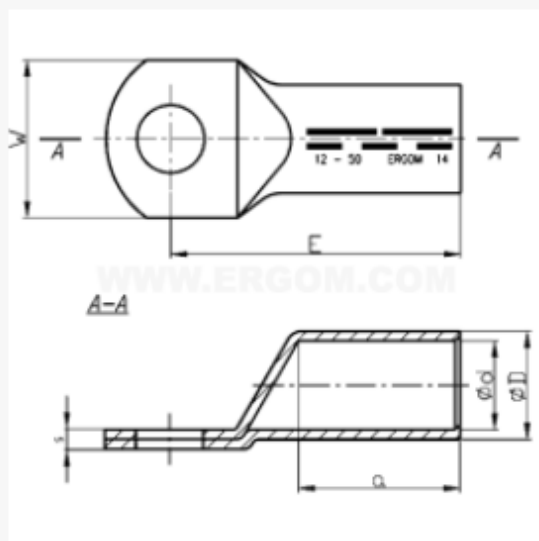
No. of crimping narrow **3**

mechanical details

Material	Cu
Surface	tin-plated
Size of bolt dia	M12
DIN	✓

Sections

Cross section rm/sm [mm ²]	50
--	-----------



Sizes

d	10,0
D	14,5
s	4,0
a	28
E	52
W	24