

### logistics details

Product title:	<b>Tubular terminals KDR type</b>
Type:	<b>KDR 50/10 (100 SZT./PCS)</b>

### mechanical details

Material	<b>Cu</b>
Surface	<b>tin-plated</b>
Size of bolt dia	<b>M10</b>
DIN	✓

### Certificates

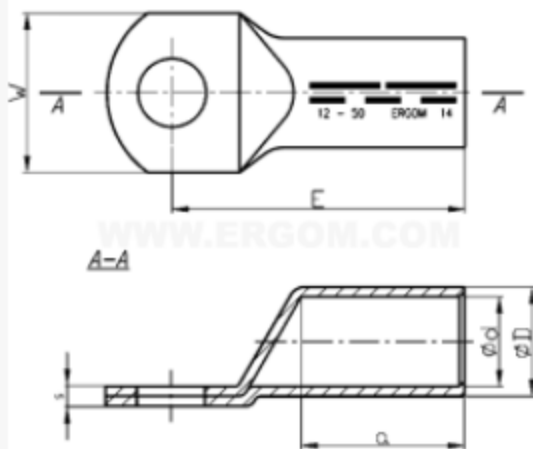
Design	<b>DIN 46235</b>
--------	------------------

### Sections

Cross section rm/sm [mm <sup>2</sup> ]	<b>50</b>
----------------------------------------	-----------

### crimping

Die code No.	<b>14</b>
No. of crimping wide	<b>2</b>
No. of crimping narrow	<b>3</b>



### Sizes

d	<b>10,0</b>
D	<b>14,5</b>
s	<b>4,0</b>
a	<b>28</b>
E	<b>52</b>
W	<b>22</b>