

logistics details

Product title:	Tubular terminals KDR type
Type:	KDR 35/10 (100 SZT./PCS)

Certificates

Design	DIN 46235
--------	------------------

crimping

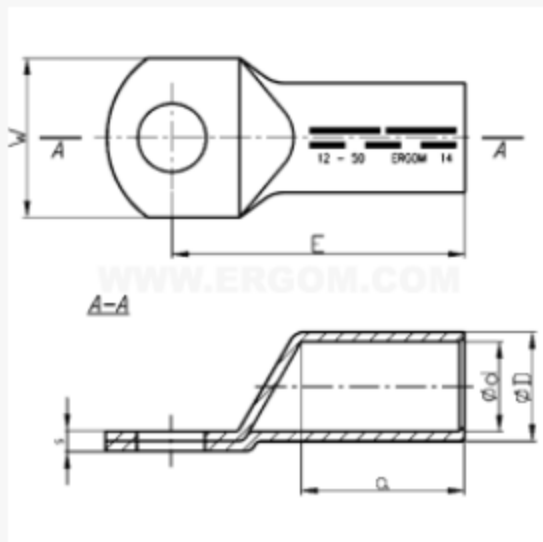
Die code No.	12
No. of crimping wide	1
No. of crimping narrow	2

mechanical details

Material	Cu
Surface	tin-plated
Size of bolt dia	M10
DIN	✓

Sections

Cross section rm/sm [mm ²]	35
--	-----------

**Sizes**

d	8,2
D	12,5
s	3,5
a	20
E	42
W	19