

logistics details

Product title: **Tubular terminals KDR type**

Certificates

Design **DIN 46235**

crimping

Die code No. **12**

No. of crimping wide **1**

No. of crimping narrow **2**

mechanical details

Material **Cu**

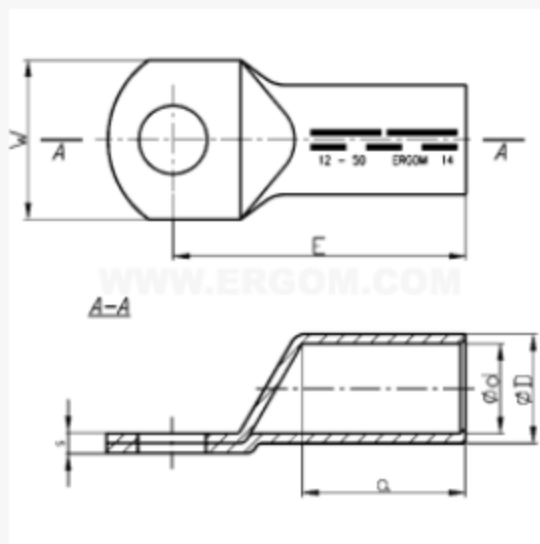
Surface **tin-plated**

Size of bolt dia **M8**

DIN **√**

Sections

Cross section mm² **35**



Sizes

d **8,2**

D **12,5**

s **3,5**

a **20**

E **42**

W **17**