

logistics details

Product title:	Tubular ring terminals for L.V. circuit breakers KORW type
Type:	KORW 300/16 (10 SZT./PCS)

Certificates

Design	standard
--------	-----------------

crimping

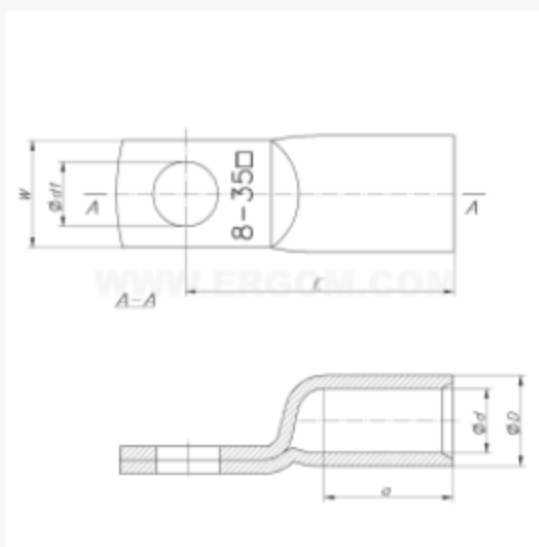
Die code No.	28
No. of crimping wide	2
No. of crimping narrow	-

mechanical details

Material	Cu
Surface	tin-plated
Size of bolt dia	M16

Sections

Cross section rm/sm [mm ²]	300
--	------------



Sizes

d	24
D	29,8
d ₁	17
a	42
E	81
W	30