

logistics details

Product title:	Tubular ring terminals for L.V. circuit breakers KORW type
Type:	KORW 300/12 (10 SZT./PCS)

Certificates

Design	standard
--------	-----------------

crimping

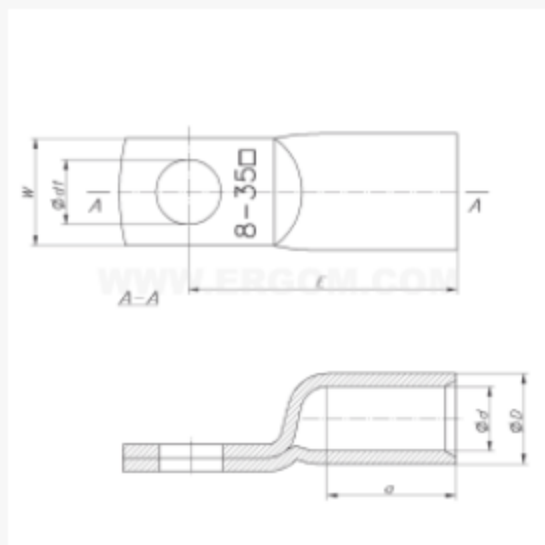
Die code No.	28
No. of crimping wide	2
No. of crimping narrow	-

mechanical details

Material	Cu
Surface	tin-plated
Size of bolt dia	M12

Sections

Cross section mm ² /sm [mm ²]	300
--	------------



Sizes

d	24
D	29,8
d ₁	13
a	42
E	79
W	30