

logistics details

Product title: **Tubular ring terminals for L.V. circuit breakers KORW type**

Type: **KORW 300/10 (10 SZT./PCS)**

mechanical details

Material **Cu**

Surface **tin-plated**

Size of bolt dia **M10**

Certificates

Design **standard**

crimping

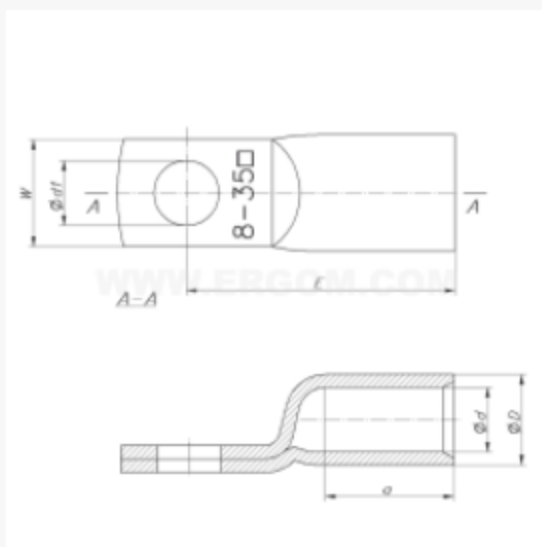
Die code No. **28**

No. of crimping wide **2**

No. of crimping narrow **-**

Sections

Cross section mm²/sm [mm²] **300**



Sizes

d **24**

D **29,8**

d₁ **10,5**

a **42**

E **76**

W **30**