

### logistics details

Product title:	<b>Tubular ring terminals for L.V. circuit breakers KORW type</b>
Type:	<b>KORW 240/10 (10 SZT./PCS)</b>

### Certificates

Design	<b>standard</b>
--------	-----------------

### crimping

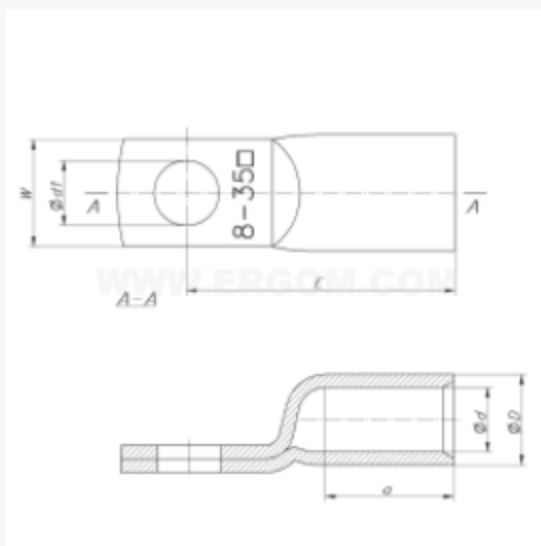
Die code No.	<b>25</b>
No. of crimping wide	<b>2</b>
No. of crimping narrow	<b>4</b>

### mechanical details

Material	<b>Cu</b>
Surface	<b>tin-plated</b>
Size of bolt dia	<b>M10</b>

### Sections

Cross section mm <sup>2</sup>	<b>240</b>
-------------------------------	------------



### Sizes

d	<b>21</b>
D	<b>25,8</b>
d <sub>1</sub>	<b>10,5</b>
a	<b>35</b>
E	<b>65</b>
W	<b>30</b>