

logistics details

Product title: **Tubular ring terminals for L.V. circuit breakers KORW type**

Type: **KORW 150/10 (10 SZT./PCS)**

Certificates

Design **standard**

crimping

Die code No. **20**

No. of crimping wide **2**

No. of crimping narrow **4**

mechanical details

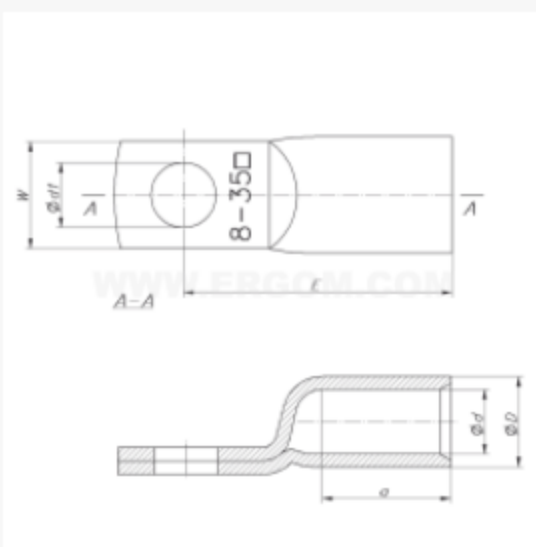
Material **Cu**

Surface **tin-plated**

Size of bolt dia **M10**

Sections

Cross section rm/sm [mm²] **150**

**Sizes**

d **16,5**

D **20,8**

d₁ **10,5**

a **29**

E **56**

W **20**