

logistics details

Product title:	Tubular ring terminals for L.V. circuit breakers KORW type
Type:	KORW 120/10 (10 SZT./PCS)

Certificates

Design	standard
--------	-----------------

crimping

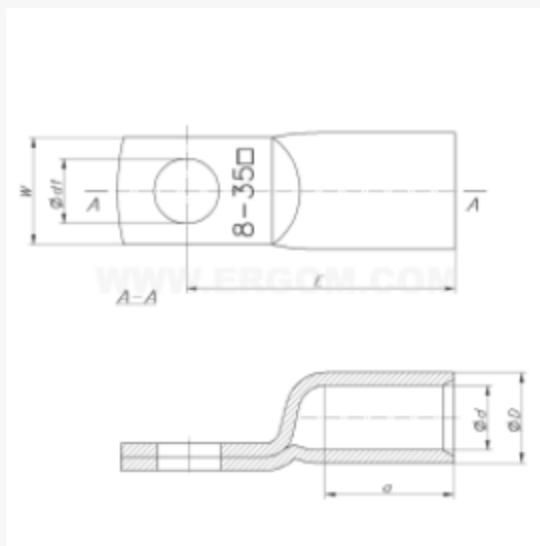
Die code No.	19
No. of crimping wide	1
No. of crimping narrow	2

mechanical details

Material	Cu
Surface	tin-plated
Size of bolt dia	M10

Sections

Cross section rm/sm [mm ²]	120
--	------------



Sizes

d	15
D	19,4
d ₁	10,5
a	26
E	53
W	20