

logistics details

Product title:	Tubular ring terminals for L.V. circuit breakers KORW type
Type:	KORW 70/6 (25 SZT./PCS)

Certificates

Design	standard
--------	-----------------

crimping

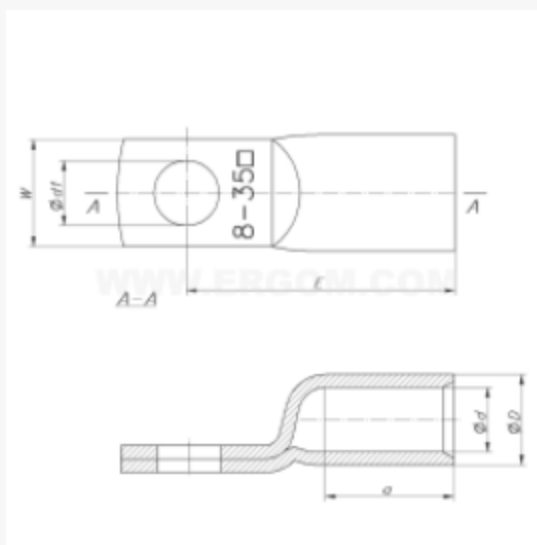
Die code No.	16
No. of crimping wide	1
No. of crimping narrow	2

mechanical details

Material	Cu
Surface	tin-plated
Size of bolt dia	M6

Sections

Cross section rm/sm [mm ²]	70
--	-----------



Sizes

d	12
D	16,4
d ₁	6,5
a	21
E	41
W	17