

logistics details

Product title:	Tubular ring terminals for L.V. circuit breakers KORW type
Type:	KORW 50/10 (25 SZT./PCS)

Certificates

Design	standard
--------	-----------------

crimping

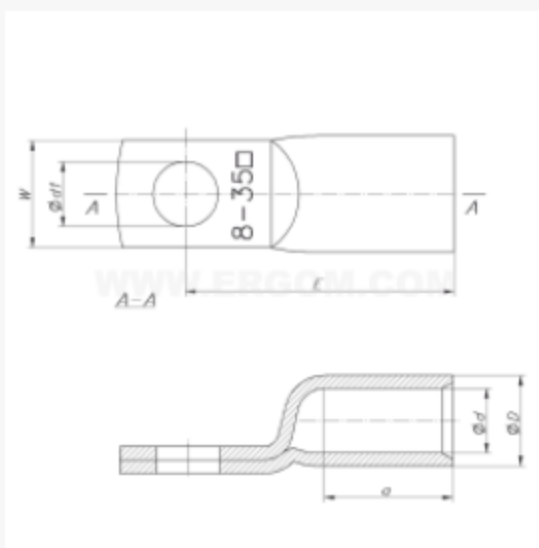
Die code No.	14
No. of crimping wide	1
No. of crimping narrow	2

mechanical details

Material	Cu
Surface	tin-plated
Size of bolt dia	M10

Sections

Cross section mm ²	50
-------------------------------	-----------



Sizes

d	10
D	14
d ₁	10,5
a	19
E	41
W	17