

logistics details

Product title:	Tubular ring terminals for L.V. circuit breakers KORW type
----------------	---

Certificates

Design	standard
--------	-----------------

crimping

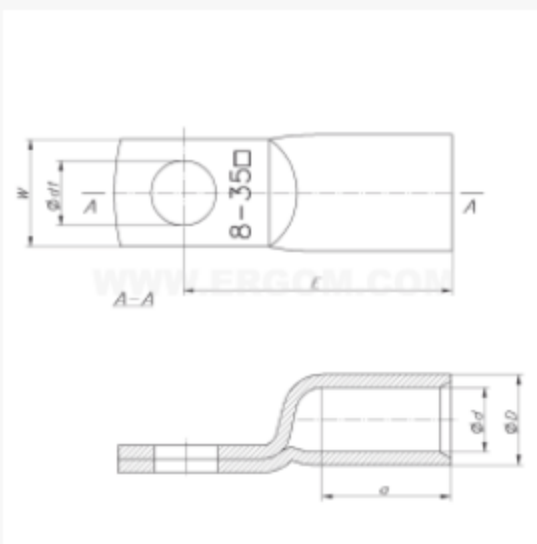
Die code No.	14
No. of crimping wide	1
No. of crimping narrow	2

mechanical details

Material	Cu
Surface	tin-plated
Size of bolt dia	M8

Sections

Cross section mm ² /sm [mm ²]	50
--	-----------



Sizes

d	10
D	14
d ₁	8,5
a	19
E	39
W	17