

**logistics details**

Product title: **Low-cost tubular terminals with inspection hole KREo type**

Type: **KREo 95/8 (50 SZT./PCS)**

Weight netto: **~ 1,990 kg**

**Certificates**

Design **economic**

**crimping**

Die code No. **17**

No. of crimping wide **1**

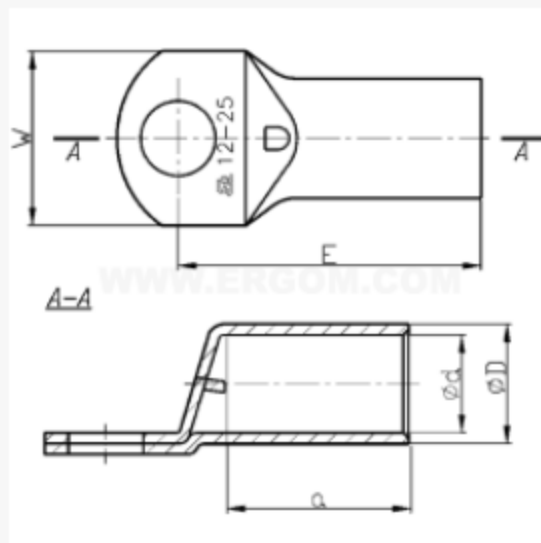
No. of crimping narrow **3**

**mechanical details**

Material	<b>Cu</b>
Surface	<b>tin-plated</b>
Size of bolt dia	<b>M8</b>

**Sections**

Cross section rm/sm [mm <sup>2</sup> ]	<b>95</b>
--	-----------

**Sizes**

d	<b>13,5</b>
D	<b>17,0</b>
a	<b>24,0</b>
E	<b>45,8</b>
W	<b>24,7</b>