

### logistics details

Product title:	<b>Low-cost tubular terminals with inspection hole KREo type</b>
Type:	<b>KREo 70/10 (100 SZT./PCS)</b>
ERGOM index:	<b>E11KM-01020506900</b>
EAN:	<b>5900003564361</b>
Weight netto:	<b>~ 3,027 kg</b>

### Certificates

Design	<b>economic</b>
--------	-----------------

### crimping

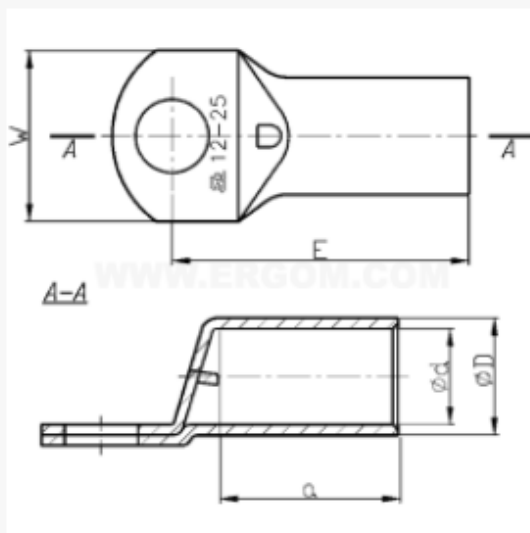
Die code No.	<b>15</b>
No. of crimping wide	<b>1</b>
No. of crimping narrow	<b>3</b>

### mechanical details

Material	<b>Cu</b>
Surface	<b>tin-plated</b>
Size of bolt dia	<b>M10</b>

### Sections

Cross section rm/sm [mm <sup>2</sup> ]	<b>70</b>
--	-----------



### Sizes

d	<b>11,5</b>
D	<b>15,0</b>
a	<b>22,0</b>
E	<b>41,5</b>
W	<b>21,5</b>