

logistics details

Product title: **Low-cost tubular terminals with inspection hole KREo type**

Type: **KREo 70/8 (100 SZT./PCS)**

Weight netto: **~ 2,886 kg**

Certificates

Design **economic**

crimping

Die code No. **15**

No. of crimping wide **1**

No. of crimping narrow **3**

mechanical details

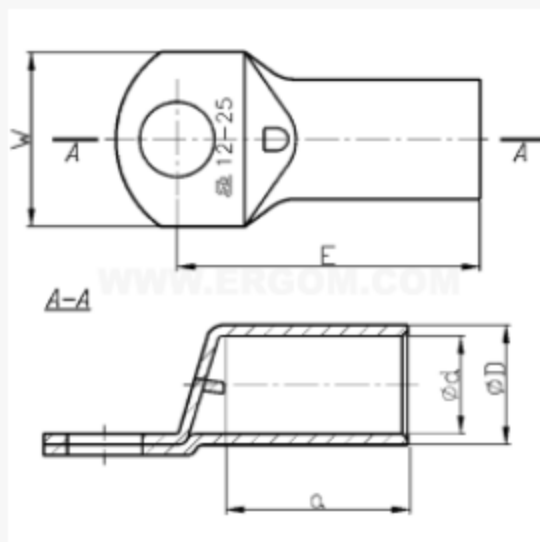
Material **Cu**

Surface **tin-plated**

Size of bolt dia **M8**

Sections

Cross section mm²/sm [mm²] **70**



Sizes

d **11,5**

D **15,0**

a **22,0**

E **39,2**

W **21,5**