

### logistics details

Product title: **Low-cost tubular terminals with inspection hole KREo type**

Type: **KREo 35/10 (100 SZT./PCS)**

Weight netto: **~ 1,406 kg**

### Certificates

Design **economic**

### crimping

Die code No. **11**

No. of crimping wide **1**

No. of crimping narrow **2**

### mechanical details

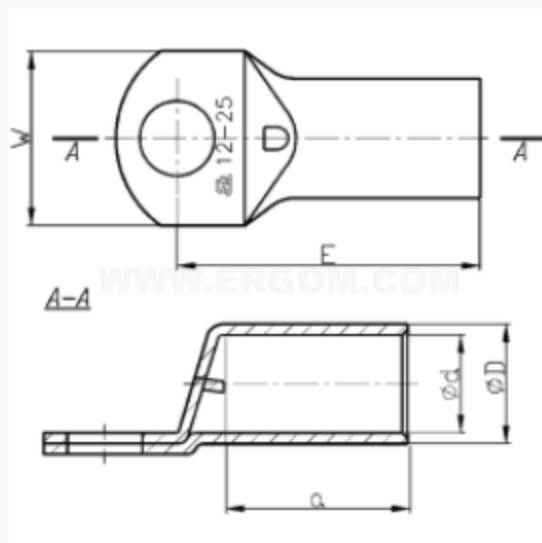
Material **Cu**

Surface **tin-plated**

Size of bolt dia **M10**

### Sections

Cross section rm/sm [mm<sup>2</sup>] **35**



### Sizes

d	<b>8,2</b>
D	<b>11,0</b>
a	<b>16,0</b>
E	<b>33,0</b>
W	<b>16,0</b>