

### logistics details

Product title: **Low-cost tubular terminals with inspection hole KREo type**

Type: **KREo 35/8 (100 SZT./PCS)**

Weight netto: **~ 1,289 kg**

### Certificates

Design **economic**

### crimping

Die code No. **11**

No. of crimping wide **1**

No. of crimping narrow **2**

### mechanical details

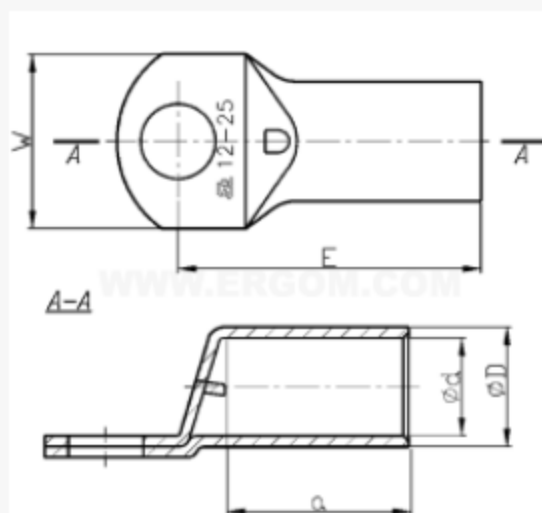
Material **Cu**

Surface **tin-plated**

Size of bolt dia **M8**

### Sections

Cross section rm/sm [mm<sup>2</sup>] **35**



### Sizes

d **8,2**

D **11,0**

a **16,0**

E **30,7**

W **15,7**