

**logistics details**

Product title:	<b>Low-cost tubular terminals with inspection hole KREo type</b>
Type:	<b>KREo 25/6 (100 SZT./PCS)</b>

Weight netto: ~ 0,735 kg

**Certificates**

Design **economic**

**crimping**

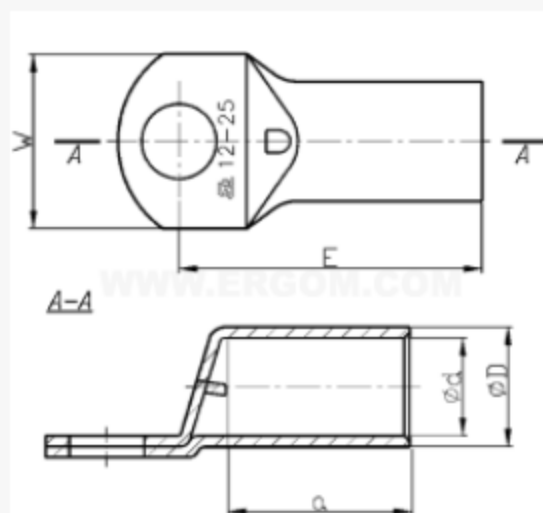
Die code No.	<b>9</b>
No. of crimping wide	<b>1</b>
No. of crimping narrow	<b>2</b>

**mechanical details**

Material	<b>Cu</b>
Surface	<b>tin-plated</b>
Size of bolt dia	<b>M6</b>

**Sections**

Cross section rm/sm [mm<sup>2</sup>] **25**

**Sizes**

d	<b>7,1</b>
D	<b>9,5</b>
a	<b>13,5</b>
E	<b>25,0</b>
W	<b>13,5</b>