

logistics details

Product title: **Low-cost tubular terminals with inspection hole KREo type**

Type: **KREo 16/10 (100 SZT./PCS)**

Weight netto: **~ 0,573 kg**

Certificates

Design **economic**

crimping

Die code No. **7**

No. of crimping wide **1**

No. of crimping narrow **2**

mechanical details

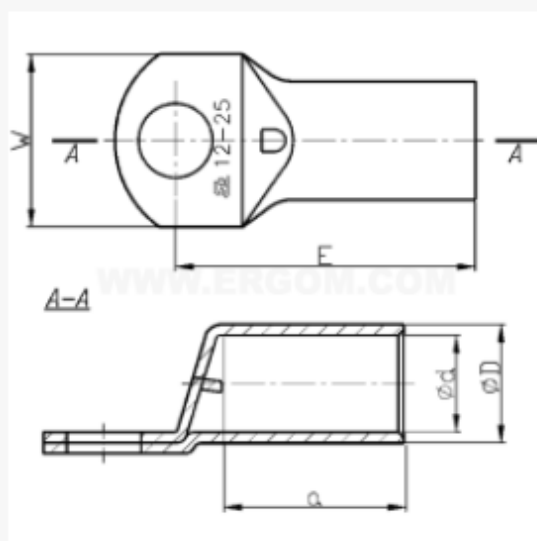
Material **Cu**

Surface **tin-plated**

Size of bolt dia **M10**

Sections

Cross section rm/sm [mm²] **16**

**Sizes**

d **5,6**

D **7,8**

a **11,3**

E **27,0**

W **16,0**