

logistics details

Product title: **Low-cost tubular terminals with inspection hole KREo type**

Type: **KREo 16/6 (100 SZT./PCS)**

Weight netto: **~ 0,467 kg**

Certificates

Design **economic**

crimping

Die code No. **7**

No. of crimping wide **1**

No. of crimping narrow **2**

mechanical details

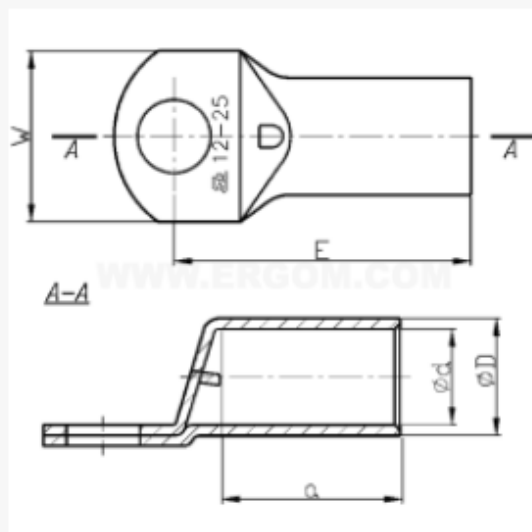
Material **Cu**

Surface **tin-plated**

Size of bolt dia **M6**

Sections

Cross section rm/sm [mm²] **16**



Sizes

d	5,6
D	7,8
a	11,3
E	22,5
W	12,0