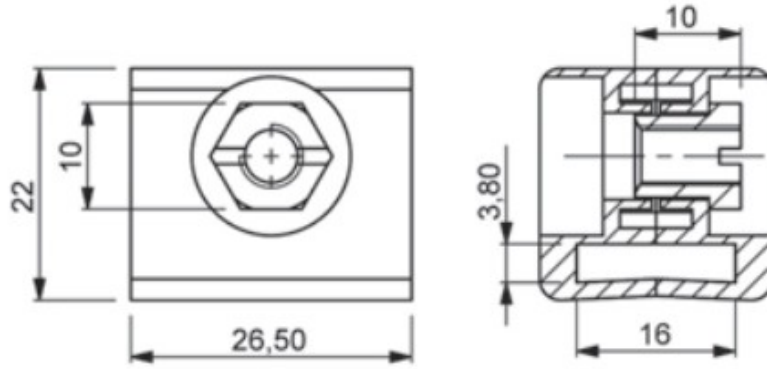


209A

LAMA YATAĞI / FLAT ROD GUIDE



POLYAMIDE

POLYAMIDE