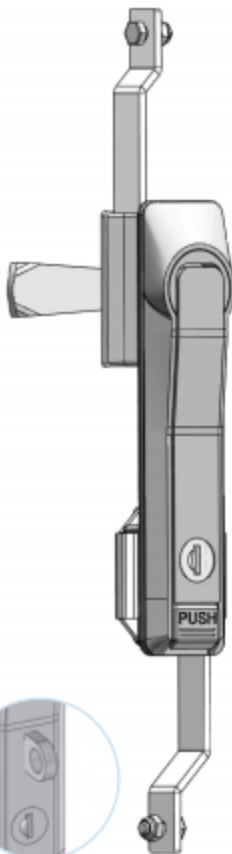


007

KOLLU PANO KİLİDİ
SWING HANDLE

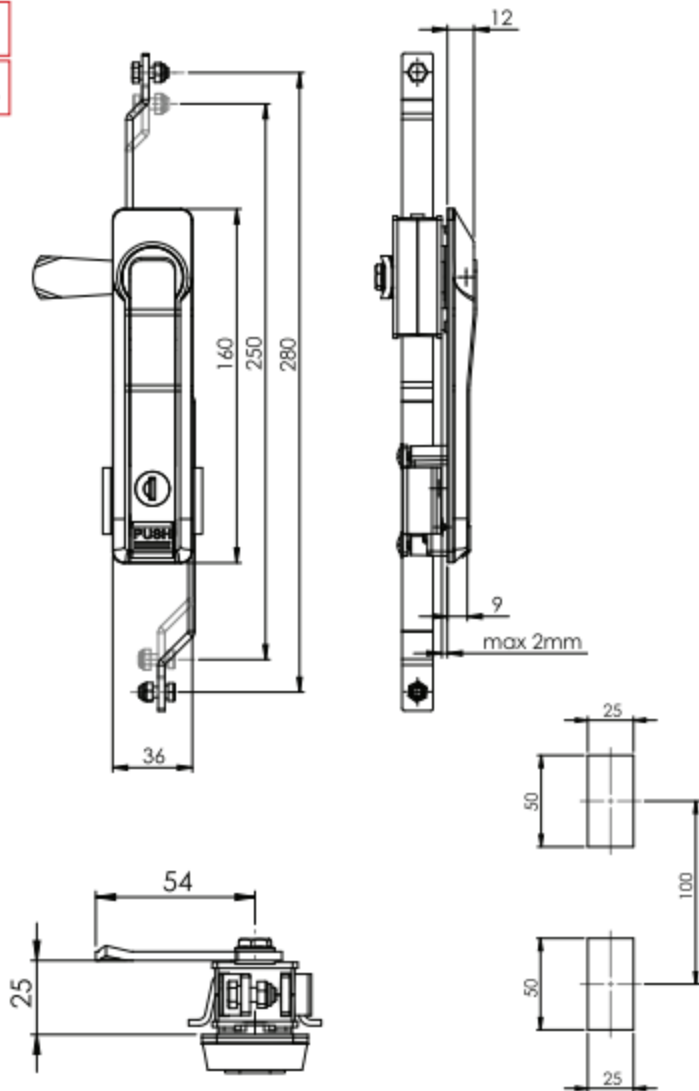
IP65

L/R



ASMA HAMİLLİ KİLİT
PADLOCK DEVICE

KOMPLE METAL - ALL IN METAL



MALZEME

GÖVDE	: ZAMAK
KOL	: ZAMAK
BAREL	: ZAMAK
ASMA HAMİL	: ZAMAK
MEKANİZMA	: ZAMAK
veya	: POLYAMİDE
DİL	: ÇELİK
LAMA	: ÇELİK
O'RING	: KAĞUÇUK

MATERIAL

BODY	: ZINC DIE
HANDLE	: ZINC DIE
CYLINDER	: ZINC DIE
PADLOCK	: ZINC DIE
MECHANISM	: ZINC DIE
or	: POLYAMIDE
CAM	: STEEL
FLAT ROD	: STEEL
O'RING	: RUBBER

KOD-CODE	GÖVDE-BODY	KOL-HANDLE	BAREL-CYLINDER	DİL-CAM	ASMA HAMİLLİ KİLİT-PADLOCK DEVICE
007	1 F	1 F	CC	CM	A
					OPTIONAL

MALZEME / MATERIAL (M)	CODE
Zamak - Zinc Die	1

BAREL / CYLINDER TYPE (CC)	CODE
Baretsiz - Without Cylinder	00
Aynı Şişeli (Bkz.İstedi Açarı) Keyed Alike	01

YÜZEY / FINISHING (FN)	CODE
Krom Kaplama / Chrome Plated	1
Siyah Yağ Boya / Black Painted	2
Ral 7035 Toz Boya / Ral 7035 Painted	6

TIRNAKSIZ DİLLER / CAMS WITHOUT STOPPER (CM)	CODE	01	02	05	06	07	08	09	010	019	043	044	045	046
H	14	24	0	16	6	32	0	8	0	0	6	4	10	
L	40	40	46	46	52	50	54	44	64	44	45	43	40	