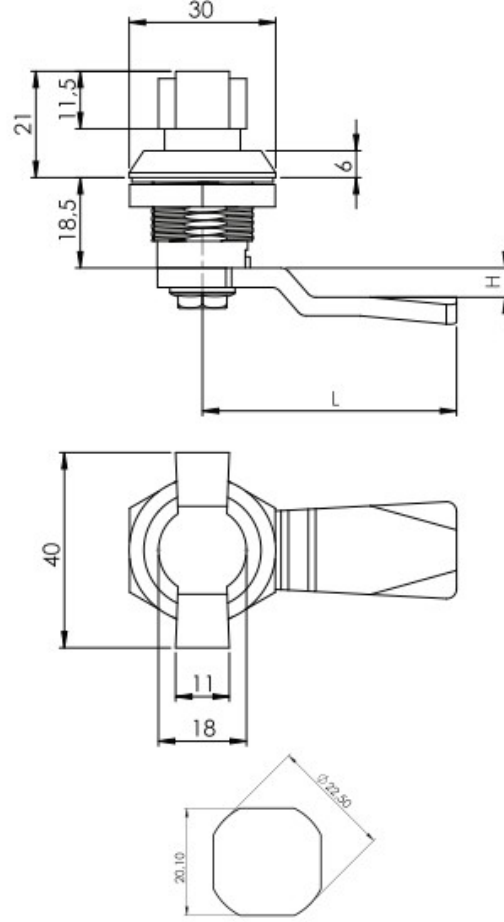


204

YAYLI PANO KİLİDİ
(METAL KELEBEK)
QUARTER TURN WING KNOB

**MALZEME**

GÖVDE : ZAMAK
KELEBEK : ZAMAK
SOMUN : ZAMAK
DİL : ÇELİK

ANAHTAR DÖNME AÇISI 90°

MATERIAL

BODY : ZINC DIE
BUTTERFLY : ZINC DIE
NUT : ZINC DIE
CAM : STEEL

KEY ROTATION ANGLE 90°

KOD-CODE

204

KOVAN- BODY

1

KELEBEK-BUTTERFLY

1

DİL-CAM

CM

YÜZEY / FINISHING
MALZEME / MATERIAL
YÜZEY / FINISHING
MALZEME / MATERIAL

TIRNAKLI DİLLER / CAMS (CM)					
CODE	H	L	CODE	H	L
01	14	40	010	0	29
02	24	48	019	0	64
05	0	46	043	0	44
06	16	46	044	6	45
07	6	52	045	4	43
08	12	50	046	10	48
09	0	54	059	15	44
010	8	44	060	12	29
011	-2	52	061	5	45
012	-12	50			

MALZEME / MATERIAL (M)	CODE
Zamak - Zinc Die	1

YÜZEY / FINISHING (F)	CODE
Krom Kaplama / Chrome Plated	1
Siyah Toz Boya / Black Painted	2

İSP. TIRNAKLI DİLLER / CAMS FOR ROD CONTROL (CM)

CODE	09	02	053	054	055	055
H	8	0	0	12	4	0
L	49	51	60	54	52	55