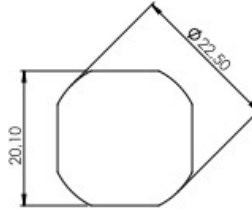
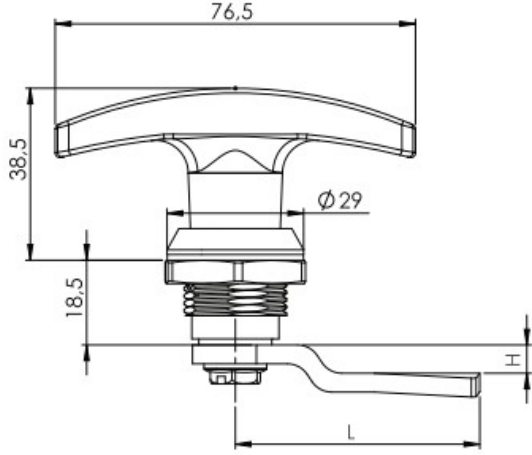


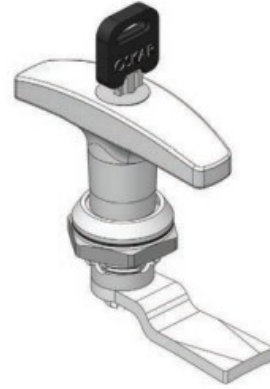
SWING HANDLES

OSKAR®



T KOLLU PANO KLIDI
T HANDLE LOCK

246



KOD-CODE 246
YÜZEY-FINISHING F
BAREL-CYLINDER CC
ÜLÇEH CM

MALZEME

GÖVDE : ZAMAK
KOL : ZAMAK
SOMUN : ZAMAK
DİL : ÇELİK

ANAHTAR DÖNME AÇISI 90°

MATERIAL

BODY : ZINC DIE
HANDLE : ZINC DIE
NUT : ZINC DIE
CAM : STEEL

KEY ROTATION ANGLE 90°

YÜZEY / FINISHING (F)	CODE
Krom Kaplama / Chrome Plated	1
Siyah Tze Boya / Black Painted	2

BAREL / CYLINDER TYPE (CC)	CODE
Ayrı Silindire (Biri Biri Açık) - Keyed Alike	01
Farklı Silindire - Keyed Different	02

İSP. TIRNAKSIZ DİLLER / CAMS FOR ROD CONTROL (CM)

CODE	03	02	053	054	055	065
H	8	0	0	12	4	0
L	49	51	60	54	52	55

TIRNAKSIZ DİLLER / CAMS WITHOUT STOPPER (CM)

CODE	01	02	05	06	07	08	09	010	019	043	044	045	046
H	14	24	0	16	6	12	0	8	0	0	6	4	10
L	48	48	46	46	52	50	54	44	64	44	45	43	48