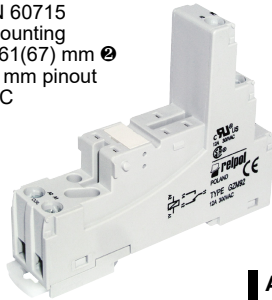


# Plug-in sockets and accessories

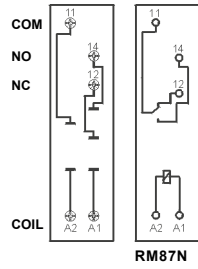
## GZM92

For RM87N, RM87N sensitive

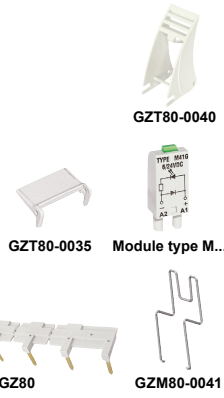
Screw terminals  
Max. tightening moment for the terminal: 0,7 Nm  
35 mm rail mount acc. to PN-EN 60715 or on panel mounting  
81,6 x 15,9 x 61(67) mm ②  
One pole, 3,5 mm pinout  
12 A, 300 V AC



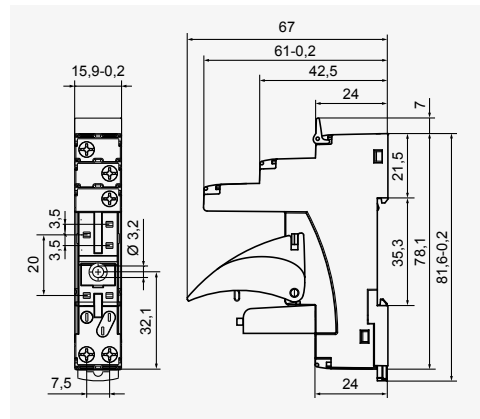
### Connection diagrams



RM87N



### Dimensions



### Accessories ①

ZGGZ80

GZM80-0041

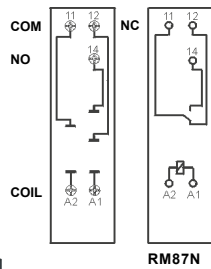
## GZS92

For RM87N, RM87N sensitive

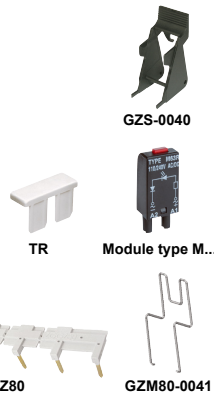
Screw terminals  
Max. tightening moment for the terminal: 0,5 Nm  
35 mm rail mount acc. to PN-EN 60715 or on panel mounting  
76,8 x 15,8 x 42,5(57,1) mm ②  
One pole, 3,5 mm pinout  
12 A, 300 V AC



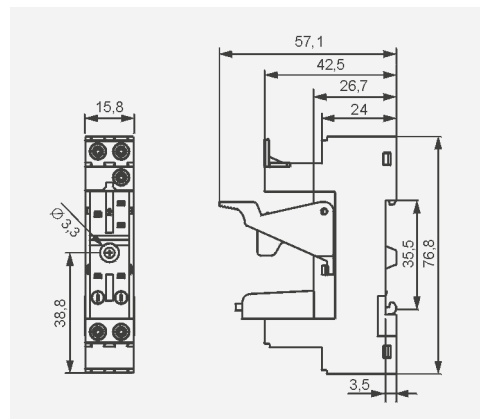
### Connection diagrams



RM87N



### Dimensions



### Accessories ①

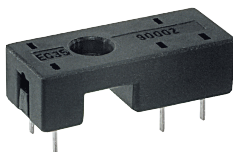
ZGGZ80

GZM80-0041

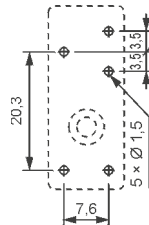
## EC 35

For RM87N, RM87N sensitive

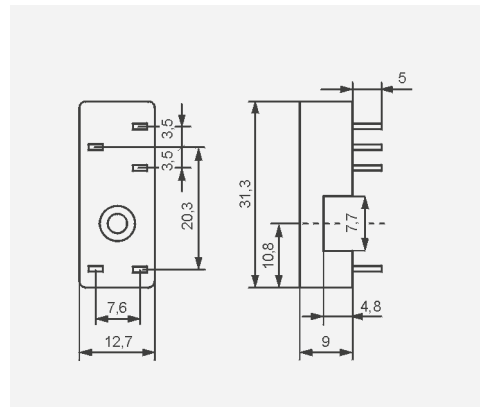
For PCB  
31,3 x 12,7 x 9 mm  
One pole, 3,5 mm pinout  
12 A, 300 V AC



### Pinout



### Dimensions



### Accessories

MP16-2

MH16-2

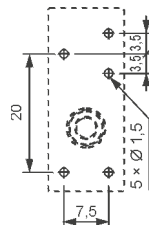
## GD35

For RM87N, RM87N sensitive

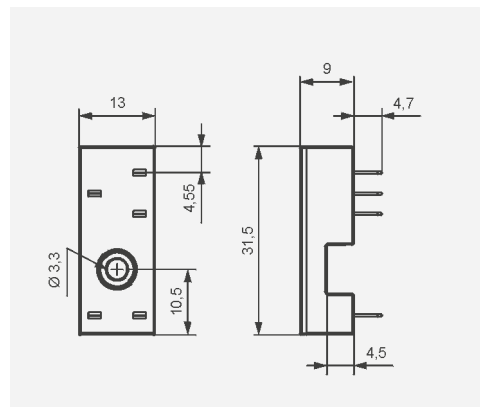
For PCB  
31,5 x 13 x 9 mm  
One pole, 3,5 mm pinout  
12 A, 300 V AC



### Pinout



### Dimensions



### Accessories

MP16-2

MH16-2

GD-0016

① Mounting and sub-assemblies of accessories in the socket - see page 16. Signalling / protecting modules type M... - see page 17.  
② In the bracket the height of socket with retainer / retractor clip is shown.