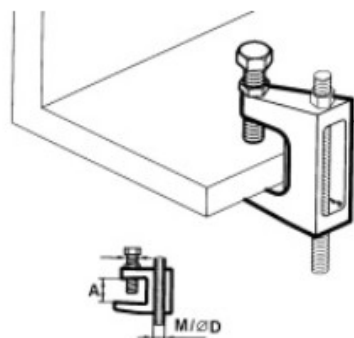



Cast Iron Beam Clamps TKM

Cast iron clamps to steel beams like TKM, available in different sizes to handle loads from 120 kg to 550 kg. Safe and easy to use, allow to solve various problems of installing equipment on site.



Code	Reference		F	A (mm)	M / Ø	CM (kg)
TKM1000	TKM-M6	50	G	18	M6	120
TKM1005	TKM 8	50	G	18	Ø 9	120
TKM1010	TKM-M8	50	G	18	M8	120
TKM1015	TKM 10	50	G	20	Ø 11	250
TKM1020	TKM-M10	50	G	20	M10	250
TKM1025	TKM 12	50	G	26	Ø 13	350
TKM1030	TKM-M12	50	G	26	M12	350
TKM1035	TKM-M16	50	G	28	M16	550