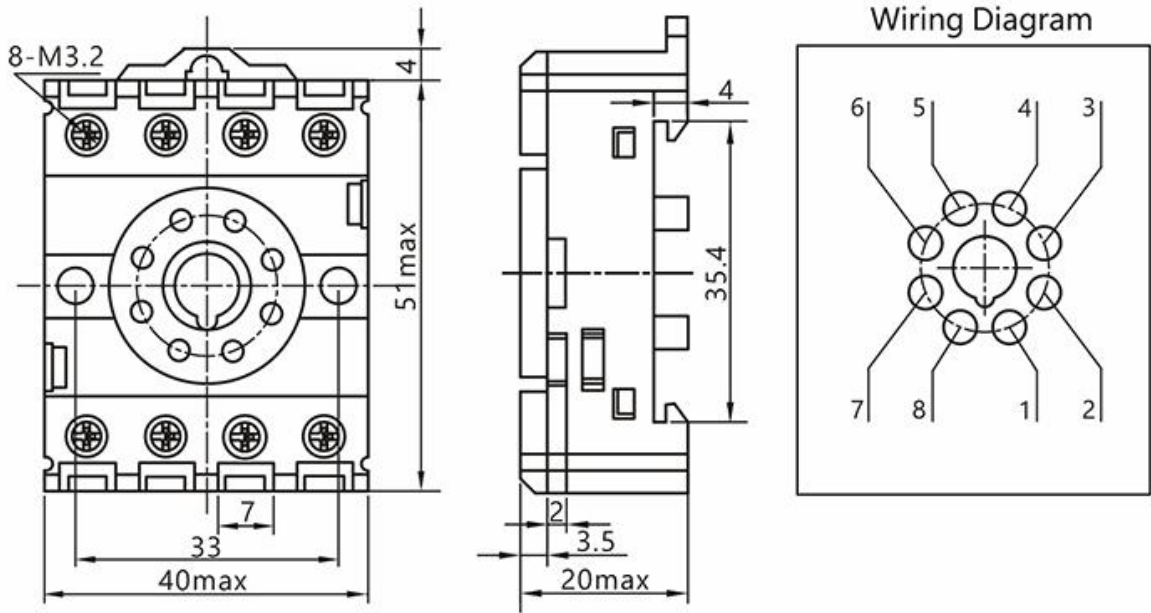


10F-2Z-C2 Relay Socket (MT750-2Z)



Product parameter

Type	MT-750-2Z
Rated current / Rated voltage	12A/300V
Dielectric strength adjacent contact circuits	2500
Conductor cross section solid and stranded	min. 0.5mm ² / max. 1.5mm ²
Conductor cross section(A.W.G)	min.20/max.14
Stripping length	7mm
Screw Thread	M3
Ambient temperature (operation)	-25℃ ~ +85℃



10F-3Z-C2 Relay Socket (MT750-3Z)



Product parameter

Type	10F-3Z-C3
Rated current / Rated voltage	12A/300V
Dielectric strength adjacent contact circuits	2500
Conductor cross section solid and stranded	min. 0.5mm ² / max. 1.5mm ²
Conductor cross section(A.W.G)	min.20/max.14
Stripping length	7mm
Screw Thread	M3
Ambient temperature (operation)	-25℃ ~ +85℃

